

CHARGING THE LIGHT BULB – EASY & HASSEL-FREE

1. When charging is needed, gently twist the bulb counter clockwise to disconnect it from the base connector (like unscrewing a bulb).
2. Once detached, lift the bulb out of the shade.
3. Connect it to the included USB Type-C charging cable.
 - Red indicator = Charging
 - Green indicator = Fully charged
4. After charging, gently place it back inside the shade, twisting clockwise to fix it in the base connector.

Recommended Installation (High Placement)

It is recommended that if the wall sconce is installed in a high location where easy access is not possible, you use the method described in installation step 3—using the hanger—so that you can easily remove the fixture from the hanger and then take out the lamp from the fixture to recharge it, all without needing to use a ladder.



Safety Notice — Small Battery Warning

The included remote control contains a small coin-cell battery. Keep this remote and its battery out of reach of children. Ingestion of coin batteries can lead to serious injury or death in as little as 2 hours. If swallowed, seek immediate medical attention.



ACTIVATE YOUR WARRANTY & GET EXTRAS

Visit: www.ironpax.com/support or scan the QR code to:

- Register your product
- Activate your 1-year warranty
- Access exclusive discounts & promotions
- Get updates on new products and features

LOVE YOUR IRONPAX?

Your opinion helps us improve. If you've enjoyed your IronPax experience, take a moment to share your thoughts on Amazon. Every voice & comment count.

NEED HELP?

Scan the QR code or visit our website for:

- Step-by-step installation guide & videos
- FAQs & troubleshooting
- Direct support (we reply within 24 hours)

Scan. Register. Relax.
ENJOY YOUR IRONPAX EXPERIENCE!

www.ironpax.com/support



IRONPAX

SMART LIVING STARTS HERE

Battery wall sconce



Manual

WELCOME TO THE IRONPAX FAMILY!

Thank you for choosing IronPax. We're excited to brighten your space with innovative and flexible lighting.

PRODUCT INFORMATION

- Product Name: IronPax Battery Operated Wall Sconce
- Material: Metal / PC
- Battery Capacity: 5200mAh Rechargeable Li-ion
- Operating Time: 25–72 hours Depending on Brightness
- Charging Port: USB Type-C (2A recommended)
- Charging Time: 5–6 hours
- Warranty: 1 Year (with registration)

WHAT'S IN THE BOX?

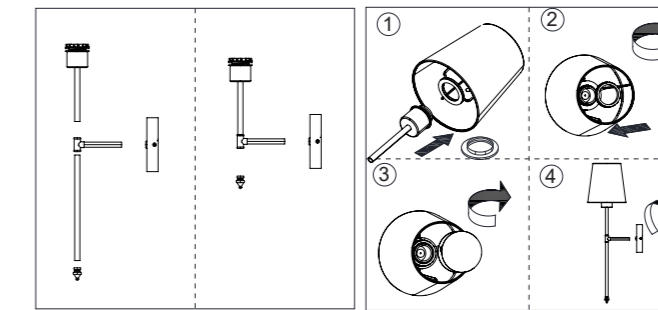
- 2 × Light Bulbs
- 2 × USB Type-C Charging Cables
- 2 × Remote Controls
- 2 × Wall light Fixtures
- 2 × Lampshades
- 2 × Wall Mount Brackets
- 1 × User Manual
- Mounting Hardware (screws and wall anchors)



INSTALLATION GUIDE

Step 1: Initial Preparation

Before doing anything else, take out all metal body parts from the box and easily assemble them by following the images in the manual. You have two size options — 14 inches and 24 inches.



Step 1

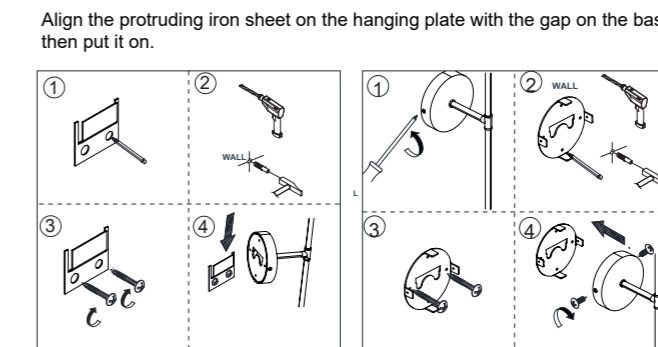
Step 2

Step 2: Install the Lampshade

Remove the fixing ring, place the lampshade onto the lamp holder, and secure it with the fixing ring. Install the RGB bulb to the socket, then screw the base into the T-shaped part.

Step 3: Install the Hanging Plate (Easy to remove)

Select a flat wall surface. Hold the hanging plate at the desired height. Mark two screw holes using a pencil. Drill holes (suitable diameter bit), insert wall anchors, align the bracket, and screw it in firmly.



Step 3

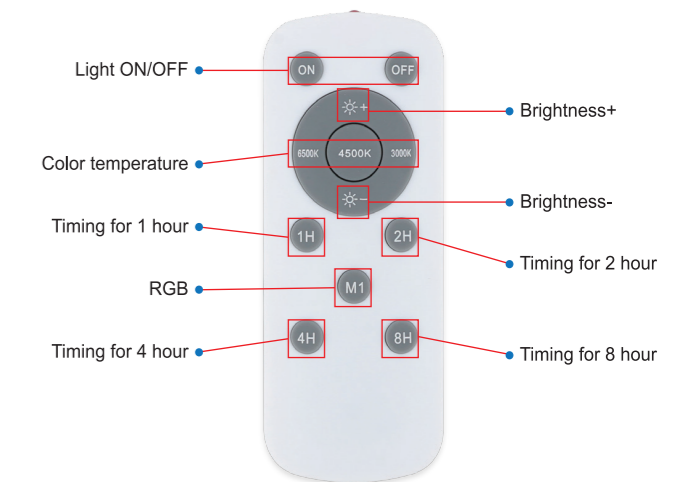
Step 4

Step 4: Fixed Installation Method (Optional)

Remove mounting bracket from the base. Select a flat wall surface. Hold the mounting bracket at the desired height. Mark two screw holes using a pencil. Drill holes (suitable diameter bit), insert wall anchors, align the bracket, and screw it in firmly.

Align the base of the wall light fixture with the bracket. Push the wall light fixture directly onto the bracket from the front. Tighten the side screws to secure it in place. Align your wall sconces to ensure they are installed evenly and straight.

REMOTE CONTROL



Note: If you press "M1" and find that the colors of the lights are inconsistent, you can press any other button first, and then press "M1", so that the colors of the two lights will be consistent.

REMOTE CONTROL FEATURES

- Brightness adjustment
- White & RGB color mode + Fade & Flash mode
- Auto-off timer: 1h / 2h / 4h / 8h
- One remote can control multiple bulbs

(Ensure each light bulb is turned on manually before using the remote)

MEMORY FUNCTION

The wall sconces retain your last color and brightness settings, even after being powered off, eliminating the need for reconfiguration.